

EVOLUTION® 5' x 36"

Bathing design with form-fitted backrest and molded-in armrests

2771VC Whirlpool w/EverClean® System

- EverClean® System
- Acrylic with fiberglass reinforcement
- Deep Soak Overflow Drain for maximum water depth
- Eight jet system featuring:
 - Two flow-adjustable H-Flo Clean Jets
 - Six adjustable Clean Jets including two in the lumbar area
- Two silent air volume controls
- Side-mounted On/Off control
- Complete factory installed and tested whirlpool system
- Self leveling feet
- Undermount installation option
- Quick connect Safe-T-Heater™ heater system (must order Safe-T-Heater™ heater separately)

2771V.418C EverClean Combo Message System

- EverClean® Whirlpool System
- EverClean® Air Bath System - air jets fully surrounding the bathing well

2771V.002 Bathing Pool

Nominal Dimensions:

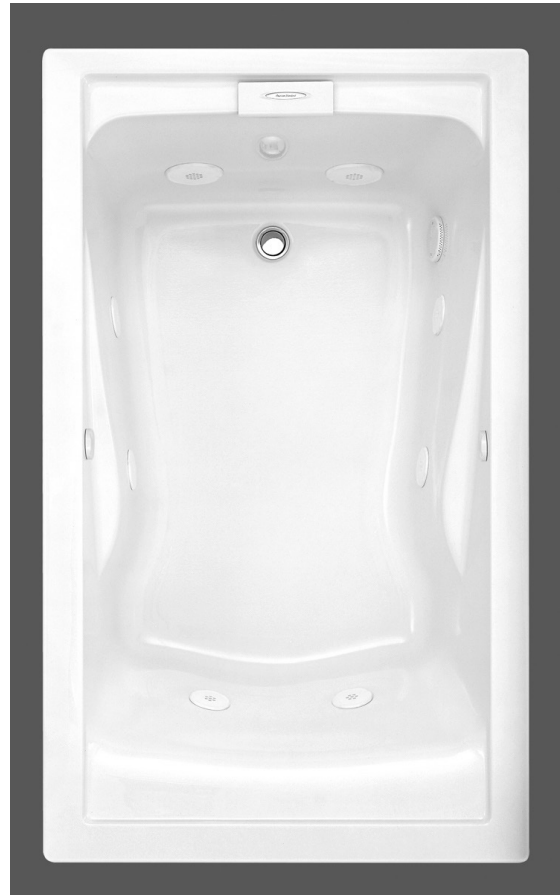
60" x 36" x 21-1/2"
(1524 x 914 x 546mm)

Compliance Certifications -

Meets or Exceeds the Following Specifications:

- Underwriters Laboratories - Hydromassage Bathtubs UL 1795
- ASME A112.19.7M for Whirlpool Appliances
- ANSI Z124.1 for Plastic Bathtubs
- ASTM E162 for Flammability
- NFPA 258 for Smoke Density

American Standard whirlpools and air baths with EverClean® incorporate a safe and effective silver-ion antimicrobial additive right into the circulation piping to protect the pipes from mold, mildew, algae and fungus that could cause deterioration or staining of the pipes.



Components Required:

- Bath Filler*: (specify finish)
- Bath Drain: 1599.205.XXX (specify color)

Custom Accessories Available:

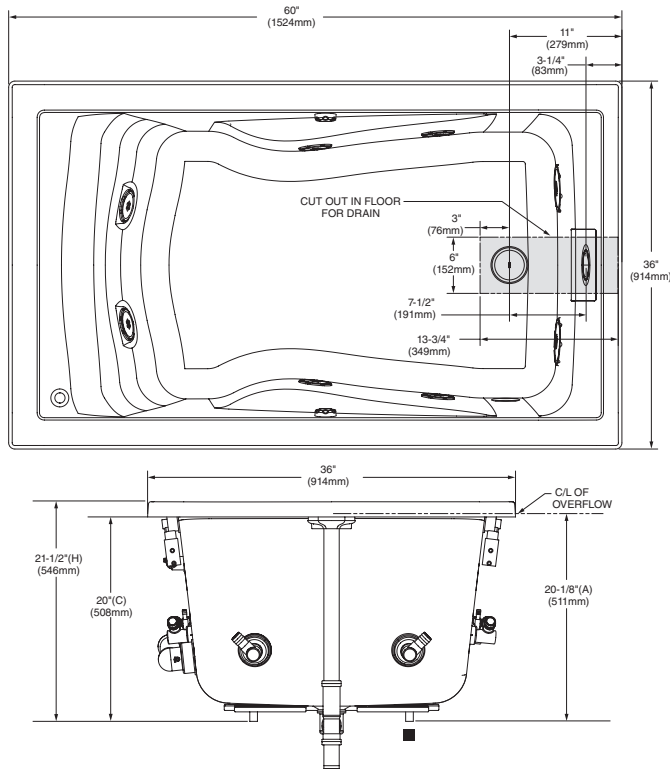
- Safe-T-Heater Whirlpool Heater: 9075.120
- 5 Foot Apron: 9261.019.XXX (specify color)
- Tile Bead Kit: 751755-100

* See American Standard Faucet Selector

For color/finish availability and other faucet choices, please see the Product Selector and Pricing Guide.

NOTE: Whirlpool Heater is designed to maintain water temperature during operation. It will not heat cold water to desired bathing temperature.

SEE REVERSE FOR ROUGHING-IN DIMENSIONS AND PRODUCT SPECIFICATIONS



GENERAL SPECIFICATIONS FOR 2771V WHIRLPOOL

INSTALLED SIZE _____ 60 x 36 x 21-1/2 In.
(1524mm x 914 mm x 546mm)
WEIGHT _____ 75 Lbs. (34 Kg.)
WEIGHT w/WATER _____ 800 Lbs. (363 Kg.)
GAL. TO OVERFLOW _____ 87 Gal. (329 L.)
MIN. OPERATING GAL. _____ 50 Gal. (189 L.)
BATHING WELL AT SUMP _____ 41-1/4 x 26-1/4 In.
(1048mm x 667mm)
BATHING WELL AT RIM _____ 52-1/2 x 30 In. (1334mm x 762mm)
WATER DEPTH TO OVERFLOW _____ 18-1/2 In. (470mm)
FLOOR LOADING _____ 53 Lbs./Sq. Ft. (260 Kgs/Sq. m.)
(PROJECTED AREA)

WHIRLPOOL ELECTRICAL SPECIFICATIONS

PUMP _____ 1.4 HP, 9.7 AMPS, 120V.

GENERAL SPECIFICATIONS FOR 2771V BATHING POOL

INSTALLED SIZE _____ 60 x 36 x 21-1/2 (1524 x 914 x 546mm)
WEIGHT _____ 60 Lbs. (27 Kg.)
WEIGHT w/WATER _____ 785 Lbs. (356 Kg.)
GAL. TO OVERFLOW _____ 87 Gal. (329 L.)
BATHING WELL AT SUMP _____ 41-1/4 x 26-1/4 In. (1048 x 667mm)
BATHING WELL AT RIM _____ 52-1/2 x 30 In. (1334 x 762mm)
WATER DEPTH TO OVERFLOW _____ 18-1/2 (470mm)
FLOOR LOADING _____ 52 Lbs./Sq.Ft. (255 Kgs./Sq.m)
(PROJECTED AREA)

NOTES:

BATH CAN BE INSTALLED EITHER ABOVE OR BELOW FLOOR LINE AS PIER, ISLAND, OR PENINSULA TYPE INSTALLATION. SUPPORT OF BATH BY SUMP BEDDING. SUPPORT AND ENCLOSING MATERIAL BY OTHERS.

REFER TO INSTALLATION INSTRUCTIONS SUPPLIED WITH WHIRLPOOL FOR ADDITIONAL INFORMATION.

■ OPTIONAL 3 WALL TILING BEAD. KIT No. TILE-BEAD AND APRON No. 5FT-APRON AVAILABLE AND MUST BE ORDERED SEPARATELY.

FITTINGS NOT INCLUDED AND MUST BE ORDERED SEPARATELY.

PROVIDE SUITABLE REINFORCEMENT FOR ALL SUPPORTS.

IMPORTANT: Dimensions of fixtures are nominal and may vary within the range of tolerances established by ANSI Standard Z124.1 and A112.19.7. These measurements are subject to change or cancellation. No responsibility is assumed for use of superseded or voided leaflet.